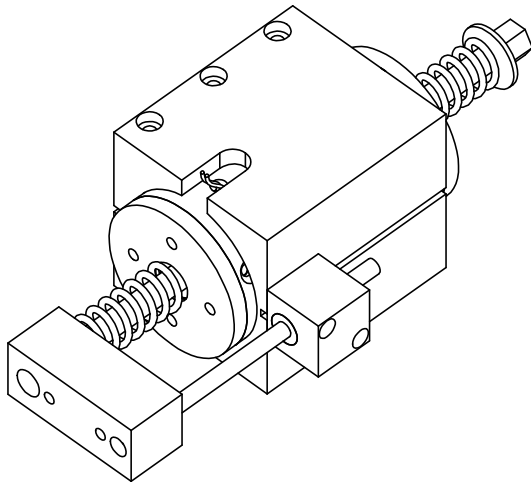
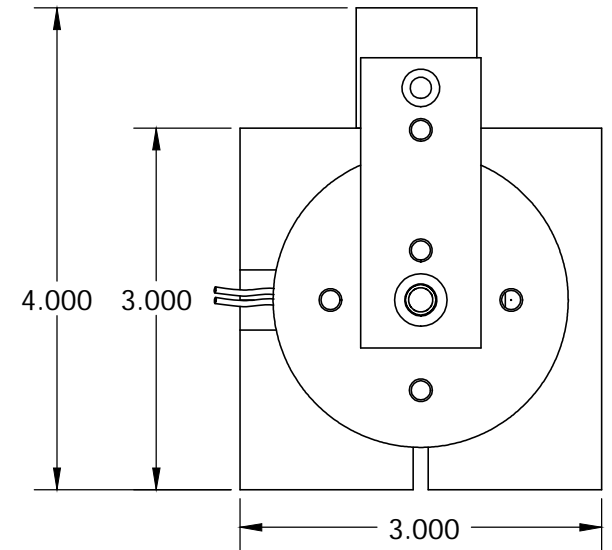
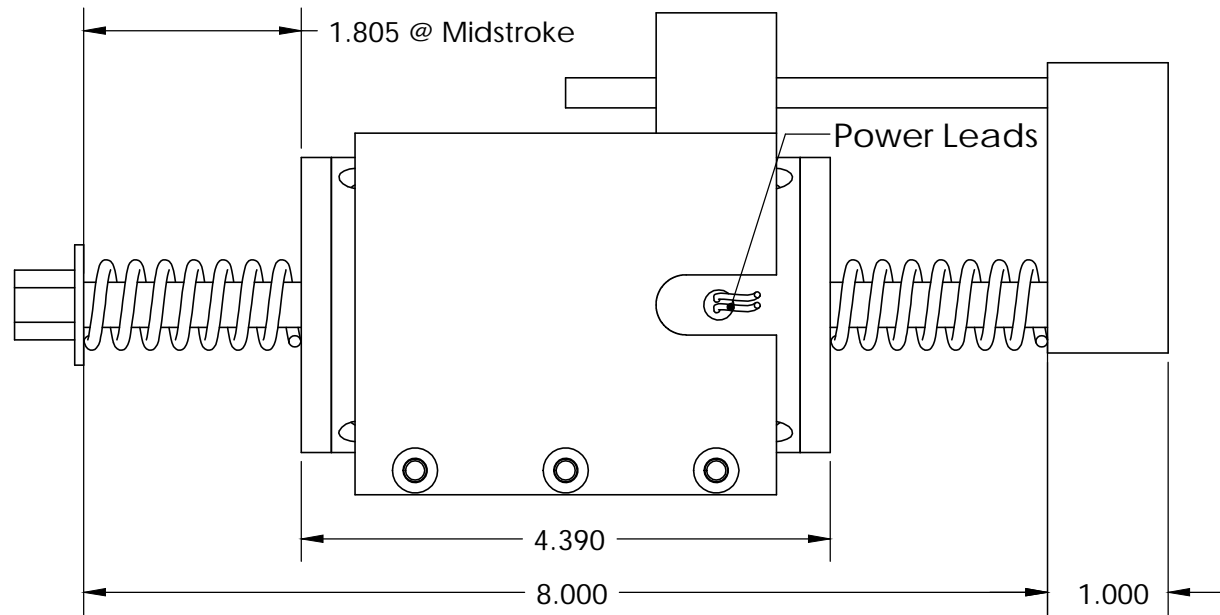
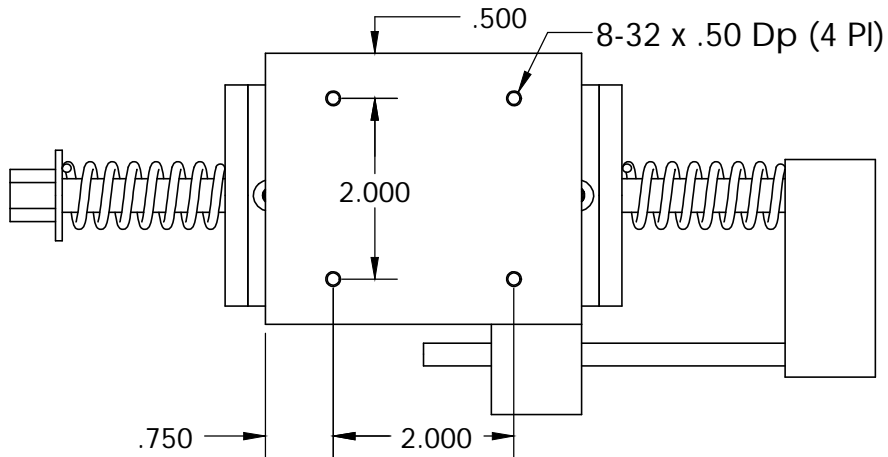
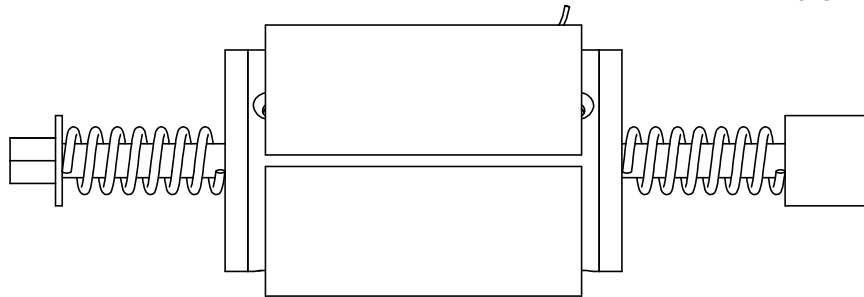
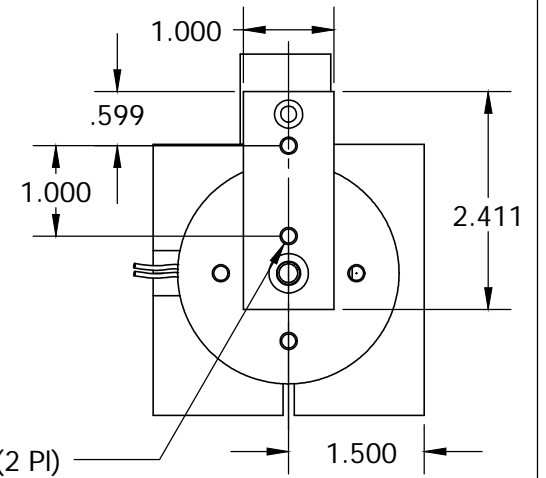
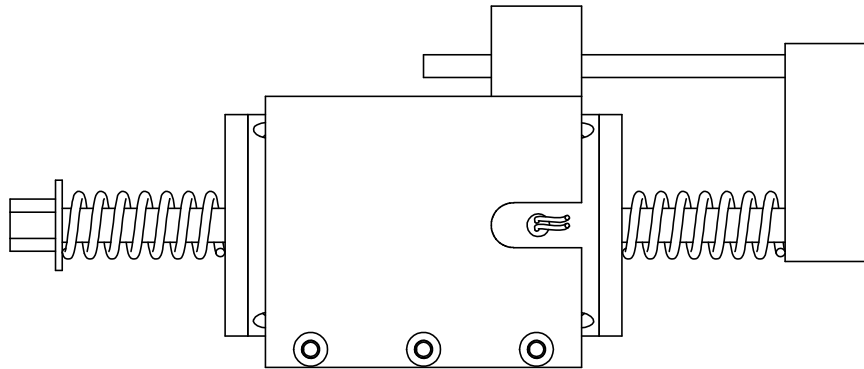
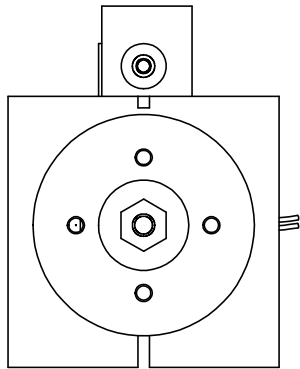


These drawings and specifications are the property of H2W Technologies, Inc. They are issued in confidence and shall not be reproduced, copied, or used without written permission from H2W Technologies, Inc. (www.h2wtech.com)



H2W Technologies, Inc.
 26470 Ruether Ave #102 Santa Clarita, CA 91350 USA
 Tel: (661) 251-2081 Fax: (661) 251-2067
 www.h2wtech.com

UNLESS SPECIFIED OTHERWISE: All dimensions are in inches Standard Tolerances are as follows: .XXX ±.005 ANGLES ±1° .XX ±.010 FILLETS .010 X ±.020 CORNERS .010 Remove All Burrs and Sharp Edges				MATERIAL		TITLE	
				FINISH		Voice Coil Positioning Stage Model #VMS08-100-LB-LS	
DRAWN JRM	DATE 12-20-10	APPROVED MPW	DATE 12-20-10	DWG # 31-0261	REV ---	SHEET 1 of 3	



TITLE	Voice Coil Positioning Stage Model #VMS08-100-LB-LS		
DWG #	31-0261	REV	---
		SHEET	2 of 3

MOVING COIL NON-COMM ACTUATOR SPECIFICATIONS		
Motor P/N	NCM08-25-100-2LB	
Stroke	0.75"	19.1 mm
Bearing Type	Bushing	
Moving Mass	1.40 lbs	636 grams
Total Mass	5.40 lbs	2452 grams
Resistance @ 20C	10.4 ohms	
Inductance @ 20C	5.1 mH	
Electrical Time Constant	0.49 msec	
Motor Constant	2.16 LBS/SQRT(Watt)	9.6 N/SQRT(Watt)
Force Constant	7.0 LBS/Amp	30.9 N/Amp
Back EMF	0.8 V/ips	30.9 V/m/sec
Continuous Force	10 LBS	45 N
Max Power @ 100% Duty	21 Watts	
Peak Force	30 LBS	134 N

TITLE	Voice Coil Positioning Stage Model #VMS08-100-LB-LS		
DWG #	31-0261	REV	---
		SHEET	3 of 3